

Technical Data Sheet

Reverse Package Top View LEDs

67-21/T5C-ES1T2B8/2A0

Features

- P-LCC-2 package.
- White package.
- Optical indicator.
- Colorless clear window.
- Wide viewing angle.
- Suitable for vapor-phase reflow, Infrared reflow and wave solder processes.
- Computable with automatic placement equipment.
- Available on tape and reel (12mm Tape).
- Pb-free.
- The product itself will remain within RoHS compliant version



Descriptions

- The 67-21 series is available in soft orange, green, blue and yellow. Due to the package design, the LED has wide viewing angle and optimized light coupling by inter reflector. This feature makes the Top View LEDs ideal for light pipe application. The low current requirement makes this device ideal for portable equipment or any other application where power is at a premium.

Applications

- Telecommunication: indicator and backlighting in telephone and fax.
- Flat backlight for LCD, switch and symbol.
- Light pipe application.
- General use.

Device Selection Guide

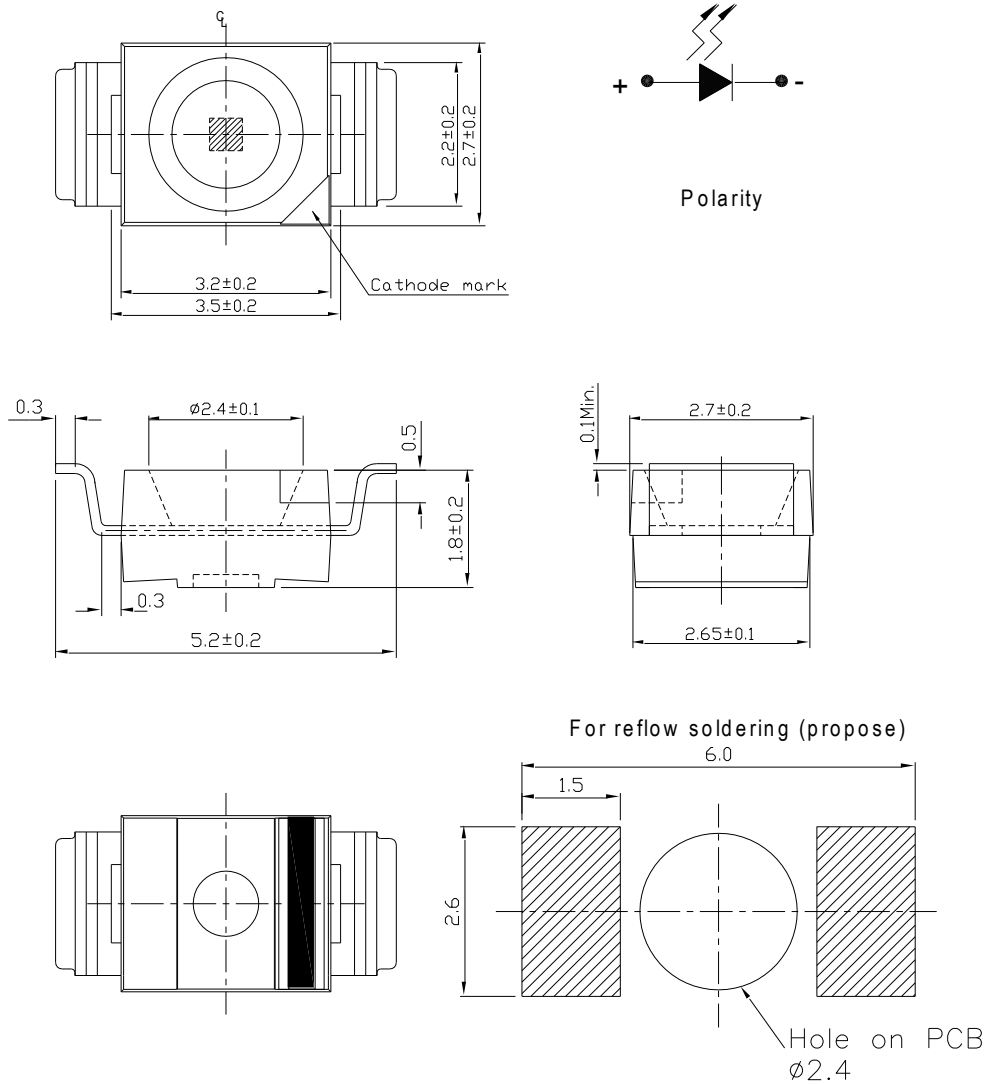
Chip	Emitted Color	Resin Color
Material		
InGaN/SiC	Pure White	Water Clear

Technical Data Sheet

Reverse Package Top View LEDs

67-21/T5C-ES1T2B8/2A0

Package Dimensions



Notes: The tolerances unless mentioned is ± 0.1 mm; Unit = mm

Technical Data Sheet
Reverse Package Top View LEDs
67-21/T5C-ES1T2B8/2A0
Absolute Maximum Ratings (Ta=25°C)

Parameter	Symbol	Rating	Unit
Reverse Voltage	V _R	5	V
Forward Current	I _F	30	mA
Peak Forward Current (Duty 1/10 @1KHz)	I _{FP}	100	mA
Power Dissipation	P _d	120	mW
Electrostatic Discharge(HBM)	ESD	1000	V
Operating Temperature	Topr	-40 ~ +85	°C
Storage Temperature	Tstg	-40 ~ +90	°C
Soldering Temperature	Tsol	Reflow Soldering : 260 °C for 10 sec. Hand Soldering : 350 °C for 3 sec.	

Electro-Optical Characteristics (Ta=25°C)

Parameter	Symbol	Min.	Typ.	Max.	Units	Condition
Luminous Intensity	I _v	180	--	450	mcd	I _F =20mA
Viewing Angle	2θ _{1/2}	--	120	--	deg	I _F =20mA
Forward Voltage	V _F	2.55	--	3.95	V	I _F =20mA
Reverse Current	I _R	--	--	50	Ma	V _R =5V

Notes:

- 1.Tolerance of Luminous Intensity : ±11%
- 2.Tolerance of Forward Voltage : ±0.1V

Technical Data Sheet

Reverse Package Top View LEDs

67-21/T5C-ES1T2B8/2A0

Bin Range of Luminous Intensity

Bin	Min	Max	Unit	Condition
S1	180	225	mcd	I _F =20mA
S2	225	285		
T1	285	360		
T2	360	450		

Bin Range of Forward Voltage

Group	Bin	Min.	Max.	Unit	Condition
B8	4	2.55	2.75	v	I _F =20mA
	5	2.75	3.05		
	6	3.05	3.35		
	7	3.35	3.65		
	8	3.65	3.95		

Notes:

1. Tolerance of Luminous Intensity : ±11%
2. Tolerance of Forward Voltage : ±0.1V

Technical Data Sheet

Reverse Package Top View LEDs

67-21/T5C-ES1T2B8/2A0

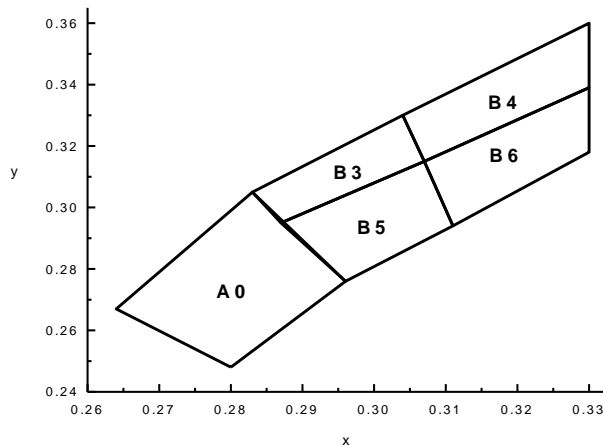
Bin Range of Chromaticity Coordinates

I_F=20mA

Group	Bin Code	CIE_x	CIE_y	Bin Code	CIE_x	CIE_y	Condition
E	A0	0.280	0.248	B3	0.287	0.295	I _F =20mA
		0.264	0.267		0.283	0.305	
		0.283	0.305		0.304	0.330	
		0.296	0.276		0.307	0.315	
	B4	0.307	0.315	B5	0.296	0.276	
		0.304	0.33		0.287	0.295	
		0.33	0.36		0.307	0.315	
		0.33	0.339		0.311	0.294	
	B6	0.311	0.294				
		0.307	0.315				
		0.330	0.339				
		0.330	0.318				

Notes: Tolerance of Chromaticity Coordinates : ±0.01

The C.I.E. 1931 Chromaticity Diagram

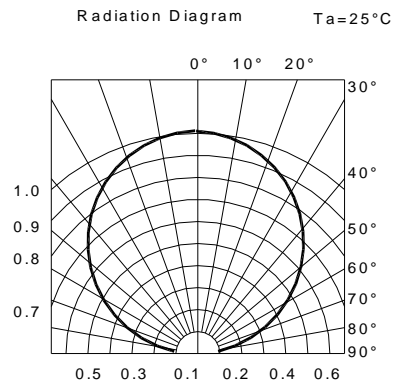
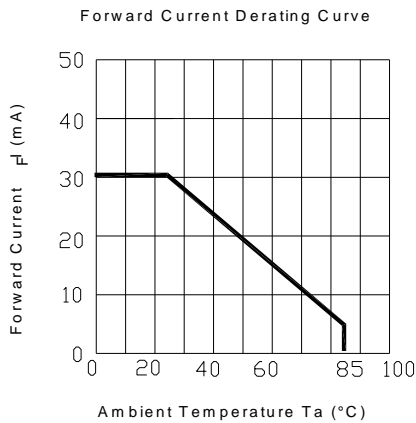
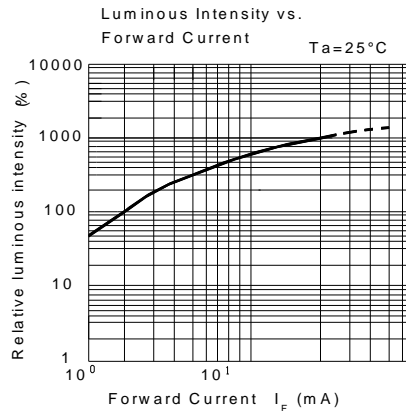
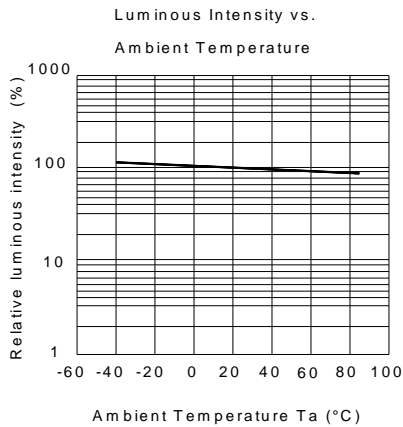
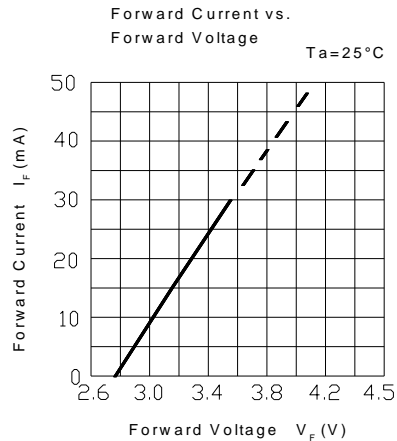
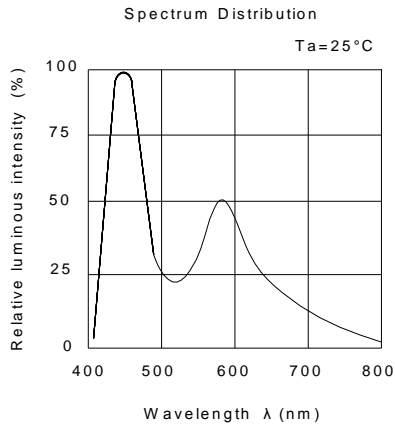


Technical Data Sheet

Reverse Package Top View LEDs

67-21/T5C-ES1T2B8/2A0

Typical Electro-Optical Characteristics Curves



Technical Data Sheet

Reverse Package Top View LEDs

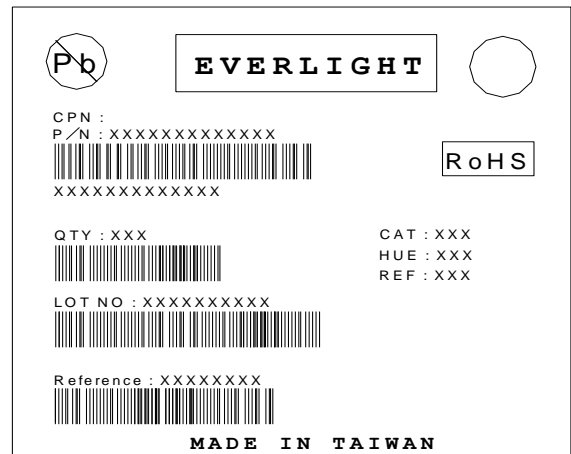
67-21/T5C-ES1T2B8/2A0

Label Explanation

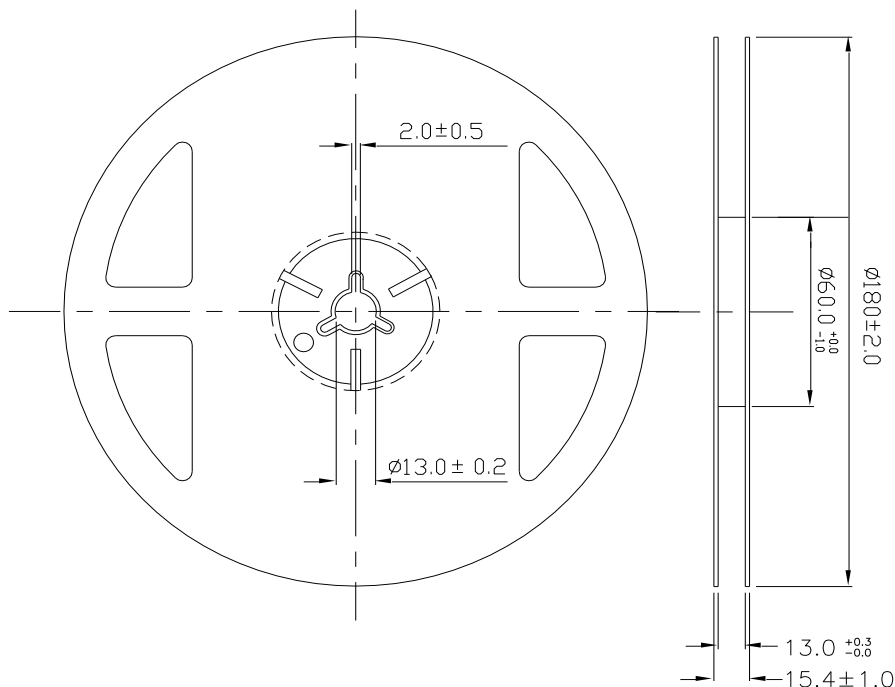
CAT: Luminous Intensity Rank

HUE: Chromaticity Coordinates

REF: Forward Voltage Rank



Reel Dimensions



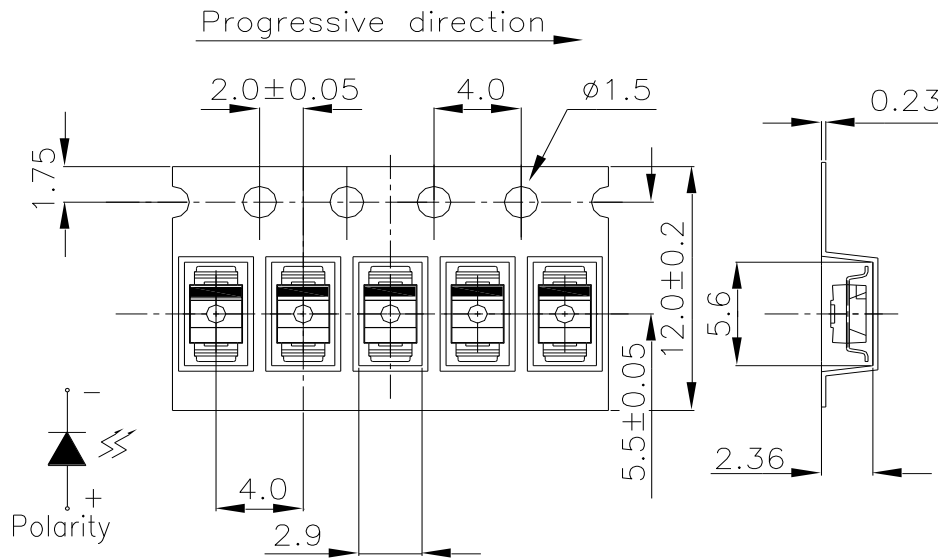
Note: The tolerances unless mentioned is ± 0.1 mm; Unit = mm

Technical Data Sheet

Reverse Package Top View LEDs

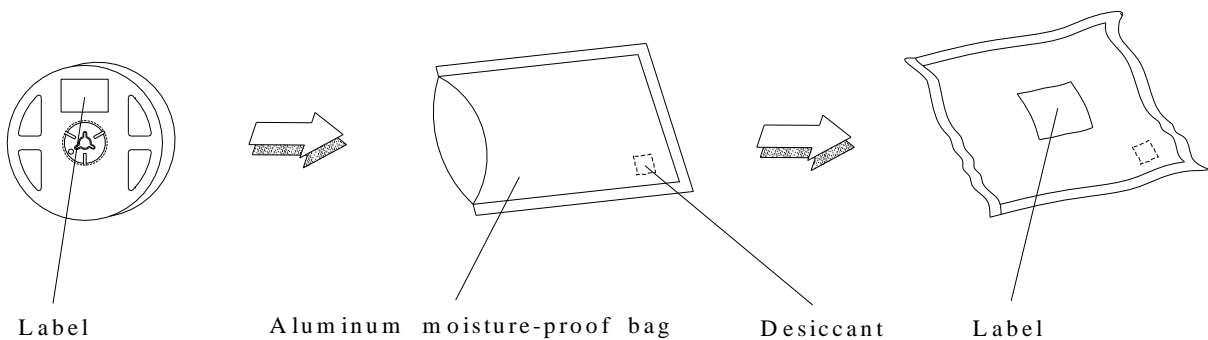
67-21/T5C-ES1T2B8/2A0

Carrier Tape Dimensions: Loaded Quantity 2000 pcs Per Reel.



Note: Tolerances unless mentioned is ±0.1mm; Unit = mm

Moisture Resistant Packaging



Technical Data Sheet

Reverse Package Top View LEDs

67-21/T5C-ES1T2B8/2A0

Reliability Test Items and Conditions

The reliability of products shall be satisfied with items listed below.

Confidence level : 90%

LTPD : 10%

No.	Items	Test Condition	Test Hours/Cycles	Sample Size	Ac/Re
1	Reflow Soldering	Temp. : 260°C±5°C Max. 10 sec.	6 Min.	22 PCS.	0/1
2	Temperature Cycle	H : +100°C 15min ∫ 5 min L : -40°C 15min	300 Cycles	22 PCS.	0/1
3	Thermal Shock	H : +100°C 5min ∫ 10 sec L : -10°C 5min	300 Cycles	22 PCS.	0/1
4	High Temperature Storage	Temp. : 100°C	1000 Hrs.	22 PCS.	0/1
5	Low Temperature Storage	Temp. : -40°C	1000 Hrs.	22 PCS.	0/1
6	DC Operating Life	IF = 20 mA	1000 Hrs.	22 PCS.	0/1
7	High Temperature / High Humidity	85°C / 85%RH	1000 Hrs.	22 PCS.	0/1

Technical Data Sheet

Reverse Package Top View LEDs

67-21/T5C-ES1T2B8/2A0

Precautions for Use

1. Over-current-proof

Customer must apply resistors for protection, otherwise slight voltage shift will cause big current change (Burn out will happen).

2. Storage

2.1 Do not open moisture proof bag before the products are ready to use.

2.2 Before opening the package: The LEDs should be kept at 30°C or less and 90%RH or less.

2.3 After opening the package: The LED's floor life are 168 hours under 30°C or less and 60% RH or less.

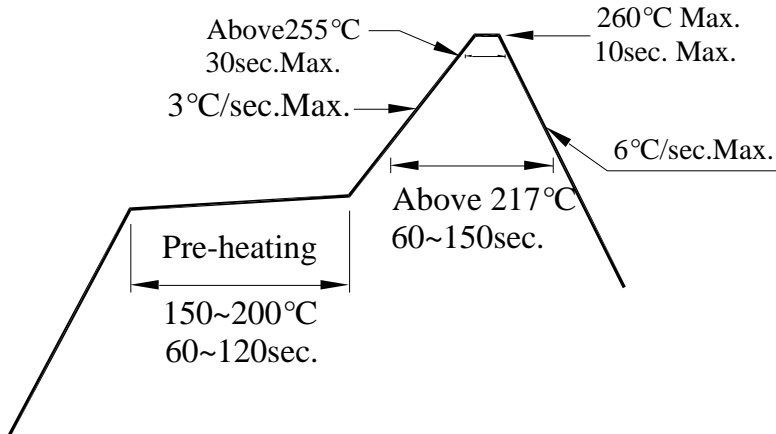
If unused LEDs remain, it should be stored in moisture proof packages.

2.4 If the moisture absorbent material (silica gel) has faded away or the LEDs have exceeded the storage time, baking treatment should be performed using the following conditions.

Baking treatment : 60±5°C for 24 hours.

3. Soldering Condition

3.1 Pb-free solder temperature profile



3.2 Reflow soldering should not be done more than two times.

3.3 When soldering, do not put stress on the LEDs during heating.

3.4 After soldering, do not warp the circuit board.

Technical Data Sheet

Reverse Package Top View LEDs

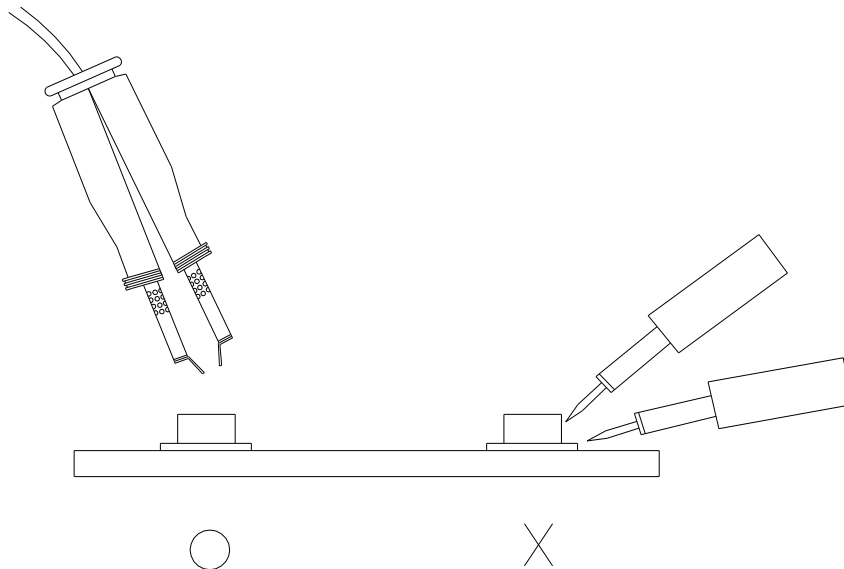
67-21/T5C-ES1T2B8/2A0

4. Soldering Iron

Each terminal is to go to the tip of soldering iron temperature less than 350°C for 3 seconds within once in less than the soldering iron capacity 25W. Leave two seconds and more intervals, and do soldering of each terminal. Be careful because the damage of the product is often started at the time of the hand solder.

5. Repairing

Repair should not be done after the LEDs have been soldered. When repairing is unavoidable, a double-head soldering iron should be used (as below figure). It should be confirmed beforehand whether the characteristics of the LEDs will or will not be damaged by repairing.



EVERLIGHT ELECTRONICS CO., LTD.
Office: No 25, Lane 76, Sec 3, Chung Yang Rd,
Tucheng, Taipei 236, Taiwan, R.O.C

Tel: 886-2-2267-2000, 2267-9936
Fax: 886-2267-6244, 2267-6189, 2267-6306
<http://www.everlight.com>